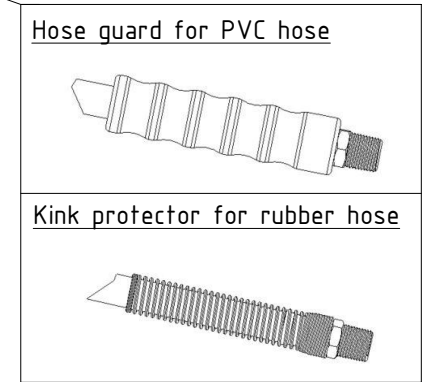
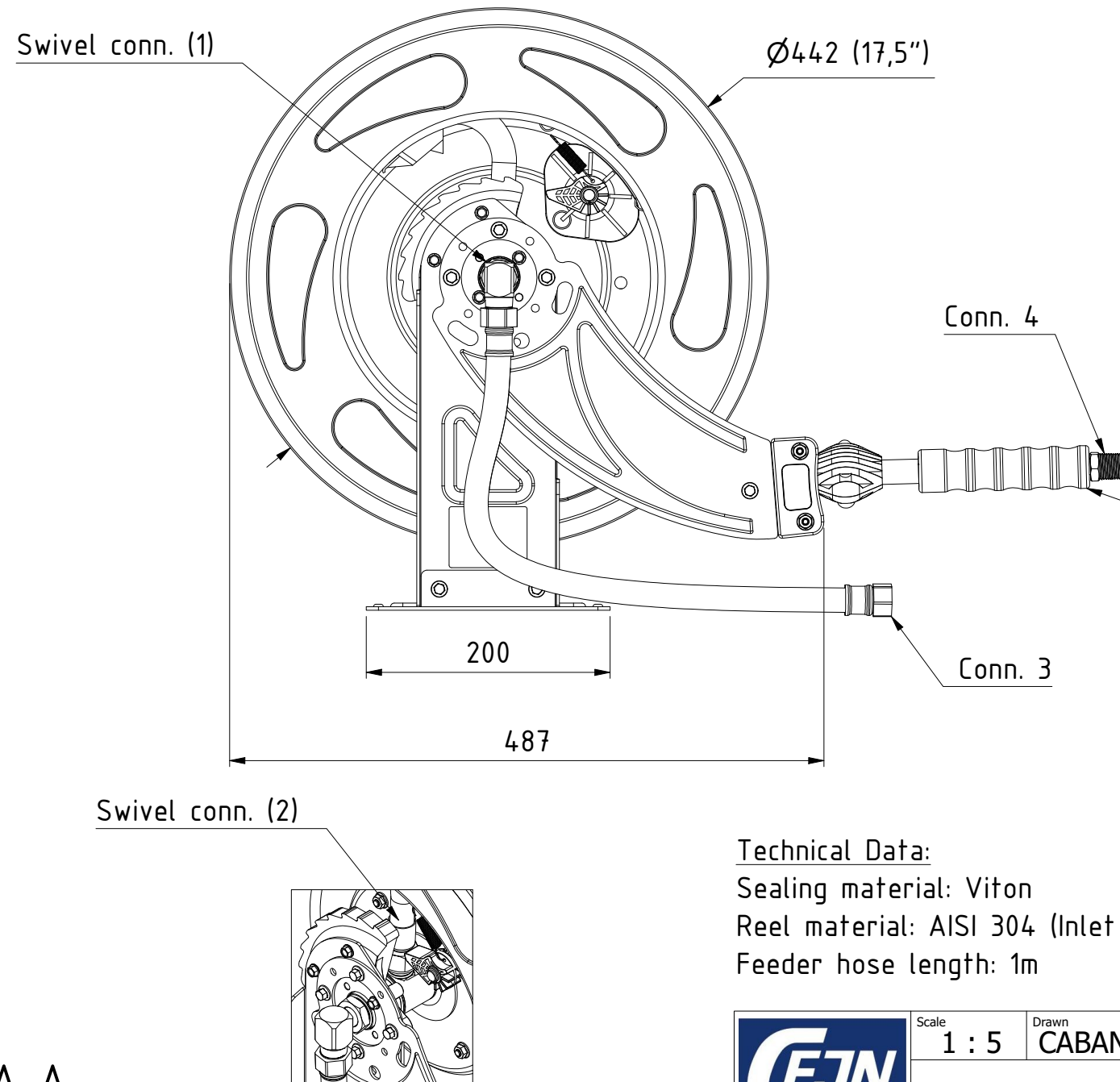
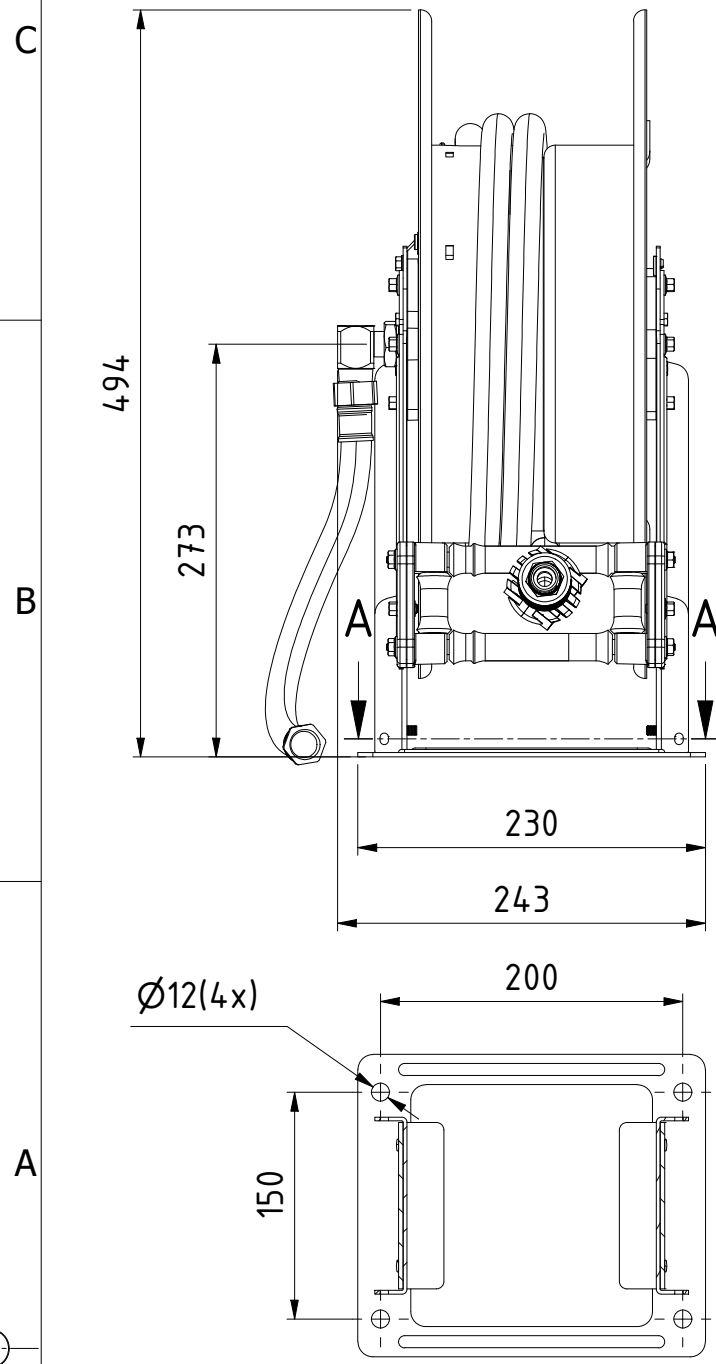


Product Data - Stainless Steel Reels (Wash Down)

Art.no.	Hose length	Hose material	Conn. 3	Conn. 4	Swivel conn. 1	Swivel conn. 2	Weight [kg]	Max water temp.	Working Pressure
19 913 1136	15m (49 ft)	Rubber D.19x27	G 3/4" fem Swivel nut	R 3/4" male	G 1" fem	R 3/4" male	27	50°C	18bar (261PSI)
19 913 1140	20m (65ft)	Rubber D.13x20	G 1/2" fem Swivel nut	R 1/2" male	R 1/2" male	R 1/2" male	27,5	50°C	18bar (261PSI)
19 913 1116	15m (49 ft)	PVC D.19x27	G 3/4" fem Swivel nut	R 3/4" male	G 1" fem	R 3/4" male	27	70°C	10bar (140PSI) 70°C / 20bar (280PSI) 25°C
19 913 1125	25m (82 ft)	PVC D.13x20	G 1/2" fem Swivel nut	R 1/2" male	R 1/2" male	R 1/2" male	28	70°C	10bar (140PSI) 70°C / 20bar (280PSI) 25°C



1 : 10



Technical Data:
 Sealing material: Viton
 Reel material: AISI 304 (Inlet conn. in brass)
 Feeder hose length: 1m

	Scale	1 : 5	Drawn	CABANLA	Checked	LHE	Appr.	JOOL	ECO	Date	2022-02-09
	Assembly Drawing 509139904							Drawing No.		Issue	Sheet
										AB	1 / (1)

This document must not be copied, either completely or in part, without permission. Any infringement will have legal consequences ©

