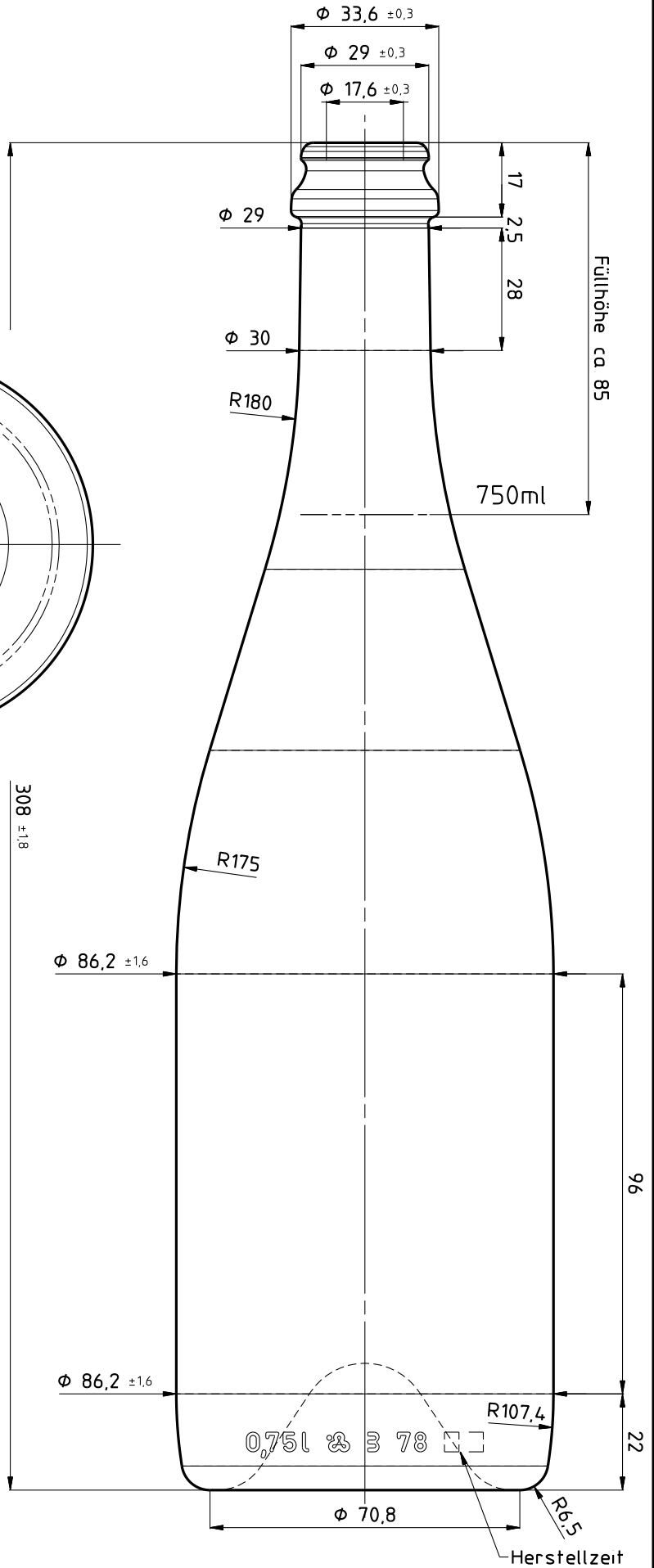
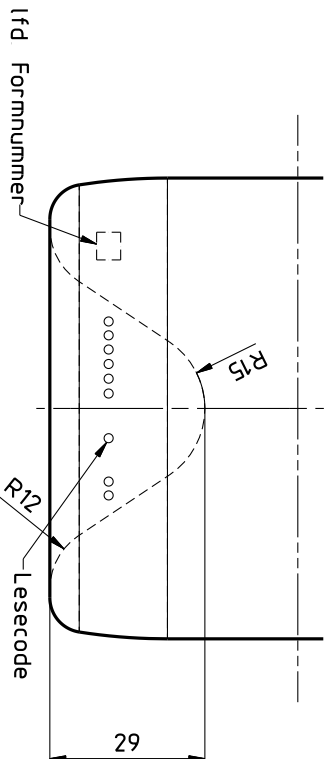
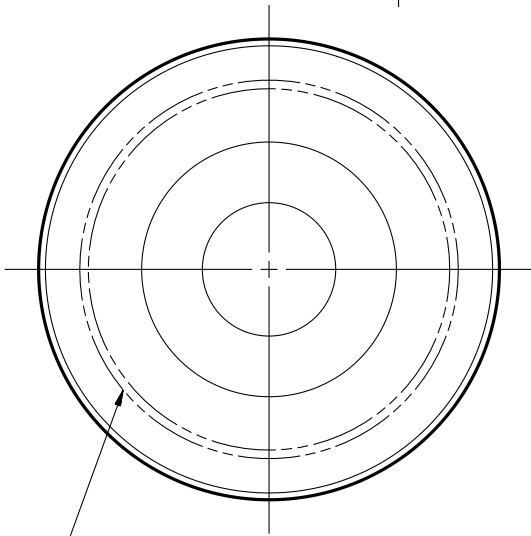


Kombiniertes Mundstück



BODENANSICHT



| INDEX AENDERUNGEN / modifications                        |          |     | PT. GEPRUEFT / PT approved |     | FIB. FREIGABE / FIB released |           | KOPFDRUCK / Avol. pressure |    | VERWENDUNG / Disposal |       | PROZESS / Prozess |    | HALSANSCHLUSS-D / Neck connection do |      | HALSQUERDURCHMANG-D / MM |         | GEZ / des |             | MESS / Mes |    | DAT / Date |    | DATETYP / Filetyp |    | ARTIKEL-NR / Item No. |    | BEZUEHUNG / Designation |    |
|--|----------|-----|----------------------------|-----|------------------------------|-----------|----------------------------|----|-----------------------|-------|-------------------|----|--------------------------------------|------|--------------------------|---------|-----------|-------------|------------|----|------------|----|-------------------|----|-----------------------|----|-------------------------|----|
| INDEX  |          |     | FIB FREIGABE               |     | KOPFDRUCK                    |           | VERWENDUNG                 |    | PROZESS               |       | HALSANSCHLUSS-D   |    | HALSQUERDURCHMANG-D                  |      | GEZ                      |         | MESS      |             | DAT        |    | DATETYP    |    | ARTIKEL-NR        |    | BEZUEHUNG             |    |                         |    |
| 1  | 2        | 3   | WERK / KR1                 | POE | WERK / DAT                   | DAI / VIS | MW                         | AW | EW                    | RARBE | MM                | MM | GEZ                                  | MESS | DAI                      | FILETYP | ITEM NO.  | DESIGNATION |            |    |            |    |                   |    |                       |    |                         |    |
| 1  | 2        | 3   | 4                          | 5   | 6                            | 7         | 8                          | 9  | 10                    | 11    | 12                | 13 | 14                                   | 15   | 16                       | 17      | 18        | 19          | 20         | 21 | 22         | 23 | 24                | 25 | 26                    | 27 | 28                      | 29 |
| neue Artikelnummer (CO <sub>2</sub> -Gehalt) eingetragen | 09/07/09 | Mes |                            |     |                              |           |                            |    |                       |       |                   |    |                                      |      |                          |         |           |             |            |    |            |    |                   |    |                       |    |                         |    |
|  |          |     |                            |     |                              |           |                            |    |                       |       |                   |    |                                      |      |                          |         |           |             |            |    |            |    |                   |    |                       |    |                         |    |
|  |          |     |                            |     |                              |           |                            |    |                       |       |                   |    |                                      |      |                          |         |           |             |            |    |            |    |                   |    |                       |    |                         |    |
|  |          |     |                            |     |                              |           |                            |    |                       |       |                   |    |                                      |      |                          |         |           |             |            |    |            |    |                   |    |                       |    |                         |    |
|  |          |     |                            |     |                              |           |                            |    |                       |       |                   |    |                                      |      |                          |         |           |             |            |    |            |    |                   |    |                       |    |                         |    |
|  |          |     |                            |     |                              |           |                            |    |                       |       |                   |    |                                      |      |                          |         |           |             |            |    |            |    |                   |    |                       |    |                         |    |
|  |          |     |                            |     |                              |           |                            |    |                       |       |                   |    |                                      |      |                          |         |           |             |            |    |            |    |                   |    |                       |    |                         |    |
|  |          |     |                            |     |                              |           |                            |    |                       |       |                   |    |                                      |      |                          |         |           |             |            |    |            |    |                   |    |                       |    |                         |    |
|  |          |     |                            |     |                              |           |                            |    |                       |       |                   |    |                                      |      |                          |         |           |             |            |    |            |    |                   |    |                       |    |                         |    |
|  |          |     |                            |     |                              |           |                            |    |                       |       |                   |    |                                      |      |                          |         |           |             |            |    |            |    |                   |    |                       |    |                         |    |